

DigiSense Series

Multi-Sensor Unit



- Monitors both Temperature and Voltage
- Wireless Operation
- Easy interface to Cloud platforms
- Connects to both cellular and WIFI
- Replaceable & rechargeable battery
- Local Data Logging Capability

The DigiSense Series uses an innovative design to offer low-power, cloud enabled wireless sensor devices.

The DigiSense Wireless Temperature Sensor measures the thermal conditions of surrounding the probe is placed in. These sensors accurately monitor temperature changes in its physical location. Local configuration of device is possible using Phone App. The captured data can be logged to local storage and also be sent to the any cloud platform through WIFI/Cellular network using the built-in MQTT engine.

Cloud platform service is available for purchase where the telemetry data can be stored in a scalable and fault-tolerant way. The platform offers tools that can be used to visualize and analyze your data with built-in or custom widgets. allows you to create rich IoT Dashboards for data visualization and remote device control in real-time. The platform also allows you to create rich IoT Dashboards for data visualization and remote device control in real-time.

Applications:

- Environmental Monitoring
- Warehouse Monitoring
- Cold Storage Monitoring
- Building Automation
- In-transit Pallet Monitoring

DigiSense Specifications

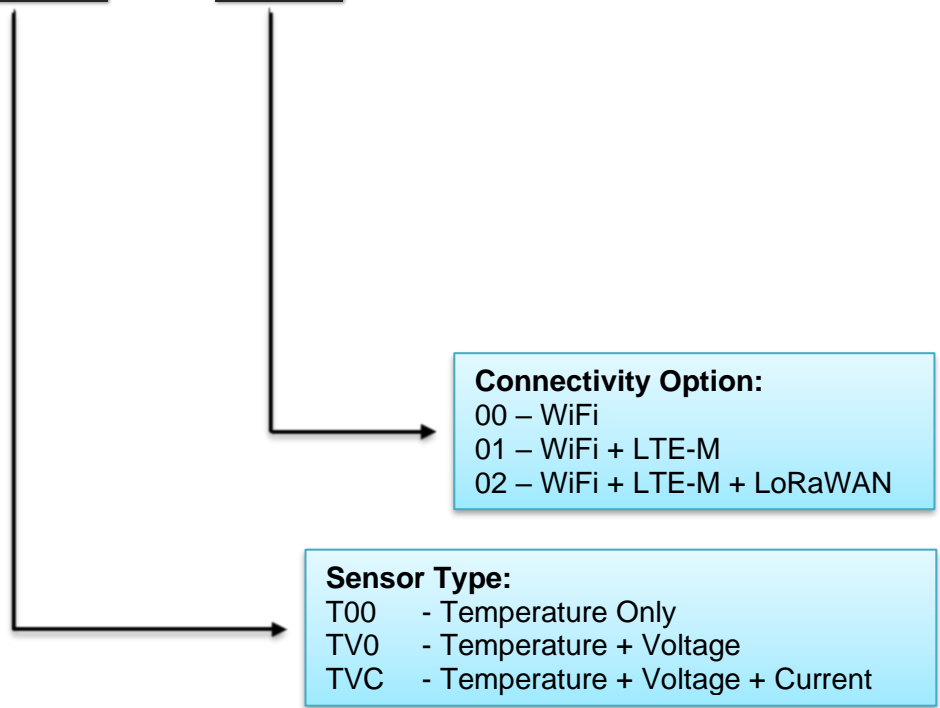
General	
Power	3.7V Lithium Battery
Operating Temperature	-40°C...+80°C
Dimension (in)	4.5 x 2.5 x 2 Inches
Interface and Protocols	WIFI, GSM, Serial & MQTT
Local Storage	Flash and SD Card
IO Slots	Micro SIM Slot, MicroSD Card Slot
Temperature Sensor	
Range	-55°C...+125°C
Accuracy	±0.5°C
Voltage Sensor	
Range	0 – 24 VDC
Resolution	16 bits

Dashboard on CrystalBall Cloud Platform:



Ordering Information:

DCS65 – XXX – XX



Example: “DCS65-T00-00” Equals to unit with Temperature sensor with WiFi connectivity.



Middle East

UAE

Tel: +971 50 8988025
sales@advancetech.in

India

Delhi
1800-1212-515

Mumbai
1800-1212-515

Bangalore
1800-1212-515

Hyderabad
1800-1212-515

Chennai
1800-1212-515

Baroda
1800-1212-515

Connect with us:

www.digiconics.com

